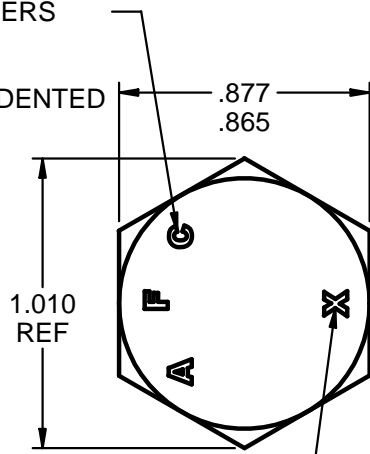
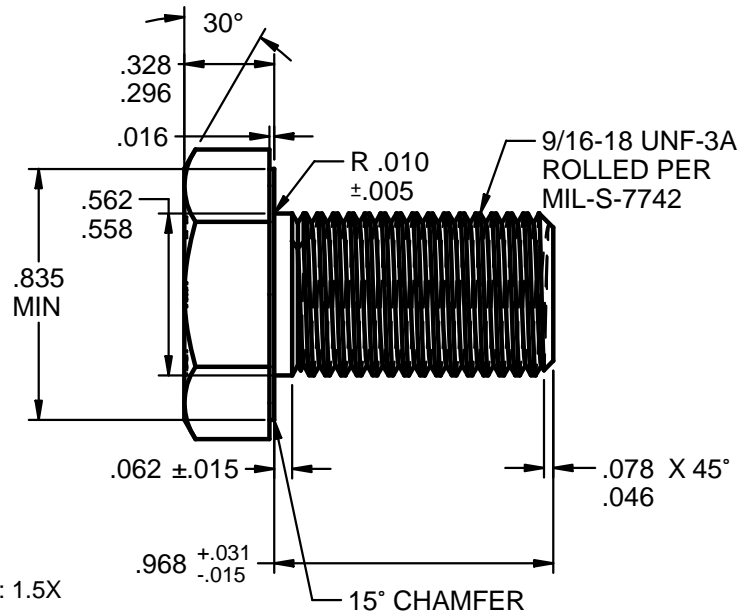


MANUFACTURERS
"AFC" LOGO
.025 MAX
RAISED OR INDENTED



"X" ALLOY STEEL
GRADE MARK



SCALE: 1.5X

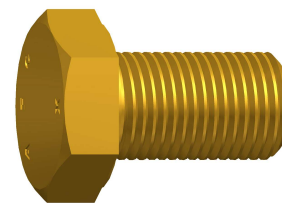
DESIGN NOTES: AN9-6A AIRFRAME BOLT

1. LENGTH 31/32" (.968"), GRIP 1/16" (.062"), THREAD 9/16-18 UNF-3A.
2. PROCUREMENT SPECIFICATION NASM6812.
3. MATERIAL ALLOY STEEL PER PROCUREMENT SPECIFICATION.
UNS G40370 AMS6300 DFAR EXEMPT
UNS G87400 AMS6322 DFAR APPLIES
UNS G41400 AMS6382 DFAR APPLIES
UNS G41300 AMS-S-6758 DFAR APPLIES
4. HEAT TREAT AMS-2759 HRC 26-32.
5. FINISH CADMIUM PLATED PER AMS-QQ-P-416, TYPE 2 (YELLOW), CLASS 2.
6. THREADS 9/16-18 UNF-3A ROLLED PROCESS PER MIL-S-7742.
7. TENSILE 23,600 LBS. [104,978 N] MIN.
8. YIELD 18,100 LBS. [80,512 N] MIN.
9. SINGLE SHEAR 18,700 LBS. [83,181 N] MIN. SHORT LENGTH N/A.

EXAMPLE PART NUMBER

AFC 9-6 C2 - CADMIUM TYPE 2 YELLOW PLATING
AFC 9-6 C1 - CADMIUM TYPE 1 PLAIN WHITE PLATING
AFC 9-6 TDC - THERMAL DIFFUSION COATED ASTM A1059

↑ FINISH
↑ LENGTH .968"
↑ BODY SIZE & THREAD .563-18 UNF-3A
↑ MANUFACTURER AIRFASCO



ACTUAL SIZE

UNCONTROLLED

CONFORMS TO: NASM3 THRU NASM20
PART NUMBER: AN9-6A

DIMENSIONS ARE IN INCHES AND TOLERANCES ARE AS SHOWN BELOW. DIMENSIONAL TOLERANCES AND SYMBOLS PER ANSI Y14.5M-1982	PROPRIETARY PARTS SHOWN IN THIS DRAWING ARE THE SUBJECT OF ISSUED UNITED STATES AND FOREIGN PATENTS AND PATENTS PENDING. UNAUTHORIZED REPRODUCTION AND/OR DISTRIBUTION OF THIS DRAWING IS STRICTLY PROHIBITED.		AIRFASCO.com 2655 HARRISON AVE SW, CANTON, OHIO 44706 USA	
	APPROVALS		DATE	REV
ANGLES ±5°	DRAWN M.B.	11/17/14	PART NUMBER: AN9-6A_AFC9-6C2	
.XX ±.03"	CHECKED T.W.	11/17/14	SIZE A	MATERIAL: 4037 / 8740 OR AS NOTED
.XXX ±.010"	ENG APPR B.E.	11/17/14	EST. WEIGHT: .110 / EACH LBS. [50.1 g]	
.XXXX ±.001"	MGR APPR D.D.	11/17/14	SCALE: 1.5X	DRAWING NUMBER: AN9-6A_AFC9-6C2
			SHEET 1 OF 1	