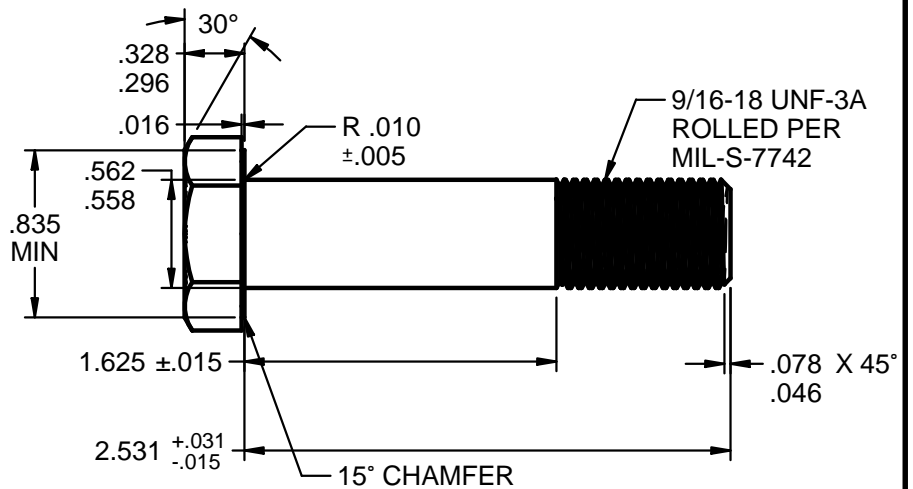
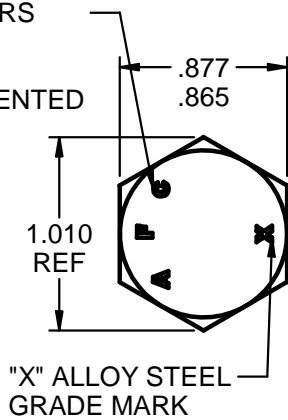


MANUFACTURERS  
"AFC" LOGO  
.025 MAX  
RAISED OR INDENTED



SCALE: 1.0X

**DESIGN NOTES: AN9-23A AIRFRAME BOLT**

1. LENGTH 2-17/32" (2.531"), GRIP 1-5/8" (1.625"), THREAD 9/16-18 UNF-3A.
2. PROCUREMENT SPECIFICATION NASM6812.
3. MATERIAL ALLOY STEEL PER PROCUREMENT SPECIFICATION.  
UNS G40370 AMS6300 DFAR EXEMPT  
UNS G87400 AMS6322 DFAR APPLIES  
UNS G41400 AMS6382 DFAR APPLIES  
UNS G41300 AMS-S-6758 DFAR APPLIES
4. HEAT TREAT AMS-2759 HRC 26-32.
5. FINISH CADMIUM PLATED PER AMS-QQ-P-416, TYPE 2 (YELLOW), CLASS 2.
6. THREADS 9/16-18 UNF-3A ROLLED PROCESS PER MIL-S-7742.
7. TENSILE 23,600 LBS. [104,978 N] MIN.
8. YIELD 18,100 LBS. [80,512 N] MIN.
9. SINGLE SHEAR 18,700 LBS. [83,181 N] MIN. SHORT LENGTH N/A.

EXAMPLE PART NUMBER

AFC 9-23 C2 CADMIUM TYPE 2 YELLOW PLATING  
 AFC 9-23 C1 CADMIUM TYPE 1 PLAIN WHITE PLATING  
 AFC 9-23 TDC THERMAL DIFFUSION COATED ASTM A1059

↑ FINISH  
 ↑ LENGTH 2.531"  
 ↑ BODY SIZE & THREAD .563-18 UNF-3A  
 ↑ MANUFACTURER AIRFASCO



ACTUAL SIZE

**UNCONTROLLED**

CONFORMS TO: NASM3 THRU NASM20  
PART NUMBER: AN9-23A

|   |  |  |   |                                |                                   |   |
|---|--|--|---|--------------------------------|-----------------------------------|---|
| DIMENSIONS ARE IN INCHES AND TOLERANCES ARE AS SHOWN BELOW. DIMENSIONAL TOLERANCES AND SYMBOLS PER ANSI Y14.5M-1982 | PROPRIETARY PARTS SHOWN IN THIS DRAWING ARE THE SUBJECT OF ISSUED UNITED STATES AND FOREIGN PATENTS AND PATENTS PENDING. UNAUTHORIZED REPRODUCTION AND/OR DISTRIBUTION OF THIS DRAWING IS STRICTLY PROHIBITED. |  | <b>AIRFASCO.com</b><br>2655 HARRISON AVE SW, CANTON, OHIO 44706 USA |                                |                                   |   |
|   | APPROVALS  |  | DATE  | PART NUMBER: AN9-23A_AFC9-23C2 | REV                               |   |
| ANGLES ±5°  | DRAWN M.B.   |  | 11/17/14  | SIZE A                         | MATERIAL: 4037 / 8740 OR AS NOTED | EST. WEIGHT: .236 / EACH LBS. [107.4 g] |
| .XX ±.03"   | CHECKED T.W.   |  | 11/17/14  |                                |                                   |   |
| .XXX ±.010"   | ENG APPR B.E.  |  | 11/17/14  | SCALE: 1.0X                    |                                   | DRAWING NUMBER: AN9-23A_AFC9-23C2       |
| .XXXX ±.001"  | MGR APPR D.D.  |  | 11/17/14  | SHEET 1 OF 1                   |                                   |   |