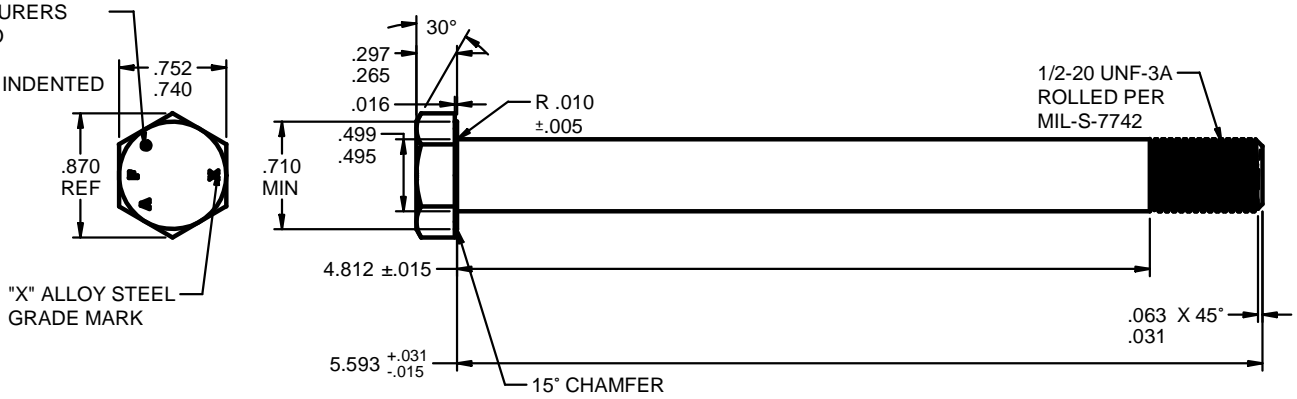


MANUFACTURERS
"AFC" LOGO
.025 MAX
RAISED OR INDENTED



SCALE: 0.75X

DESIGN NOTES: AN8-54A AIRFRAME BOLT

1. LENGTH 5-19/32" (5.593"), GRIP 4-13/16" (4.812"), THREAD 1/2-20 UNF-3A.
2. PROCUREMENT SPECIFICATION NASM6812.
3. MATERIAL ALLOY STEEL PER PROCUREMENT SPECIFICATION.
UNS G40370 AMS6300 DFAR EXEMPT
UNS G87400 AMS6322 DFAR APPLIES
UNS G41400 AMS6382 DFAR APPLIES
UNS G41300 AMS-S-6758 DFAR APPLIES
4. HEAT TREAT AMS-2759 HRC 26-32.
5. FINISH CADMIUM PLATED PER AMS-QQ-P-416, TYPE 2 (YELLOW), CLASS 2.
6. THREADS 1/2-20 UNF-3A ROLLED PROCESS PER MIL-S-7742.
7. TENSILE 18,500 LBS. [82,292 N] MIN.
8. YIELD 14,190 LBS. [63,120 N] MIN.
9. SINGLE SHEAR 14,700 LBS. [65,388 N] MIN. SHORT LENGTH N/A.



ACTUAL SIZE

EXAMPLE PART NUMBER

AFC 8-54 C2 CADMIUM TYPE 2 YELLOW PLATING
AFC 8-54 C1 CADMIUM TYPE 1 PLAIN WHITE PLATING
AFC 8-54 TDC THERMAL DIFFUSION COATED ASTM A1059

↑ FINISH
↑ LENGTH 5.593"
↑ BODY SIZE & THREAD 0.5-20 UNF-3A
↑ MANUFACTURER AIRFASCO

UNCONTROLLED

CONFORMS TO: NASM3 THRU NASM20
PART NUMBER: AN8-54A

DIMENSIONS ARE IN INCHES AND TOLERANCES ARE AS SHOWN BELOW. DIMENSIONAL TOLERANCES AND SYMBOLS PER ANSI Y14.5M-1982	PROPRIETARY PARTS SHOWN IN THIS DRAWING ARE THE SUBJECT OF ISSUED UNITED STATES AND FOREIGN PATENTS AND PATENTS PENDING. UNAUTHORIZED REPRODUCTION AND/OR DISTRIBUTION OF THIS DRAWING IS STRICTLY PROHIBITED.		AIRFASCO.com 2655 HARRISON AVE SW, CANTON, OHIO 44706 USA	
	APPROVALS		DATE	
ANGLES ±5°	DRAWN M.B.	6/5/2014		PART NUMBER: AN8-54A_AFC8-54C2
.XX ±.03"	CHECKED T.W.	6/5/2014		SIZE A
.XXX ±.010"	ENG APPR B.E.	6/5/2014		MATERIAL: 4037 / 8740 OR AS NOTED
.XXXX ±.001"	MGR APPR D.D.	6/5/2014		EST. WEIGHT: .339 / EACH LBS. [154 g]
		SCALE: 0.75X	DRAWING NUMBER: AN8-54A_AFC8-54C2	SHEET 1 OF 1