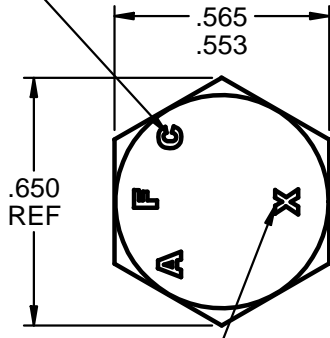
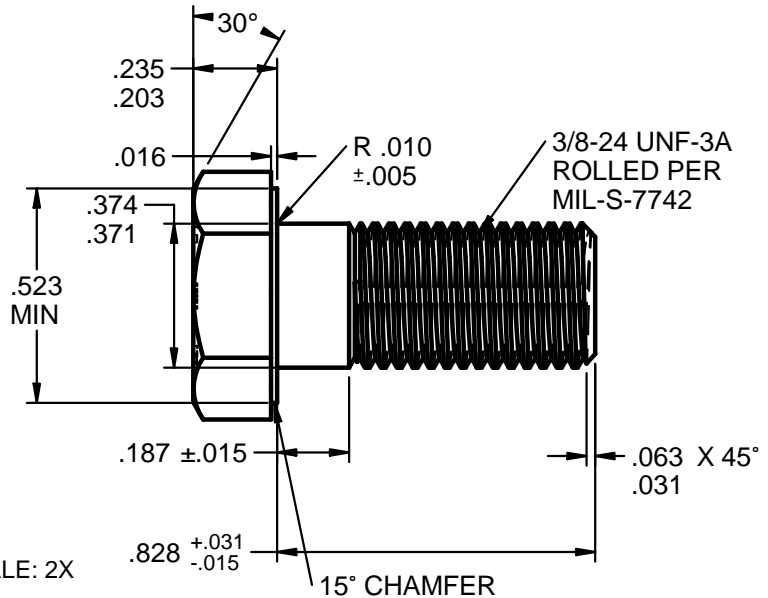


MANUFACTURERS

"AFC" LOGO
 .025 MAX
 RAISED OR INDENTED



"X" ALLOY STEEL
 GRADE MARK



SCALE: 2X

15° CHAMFER

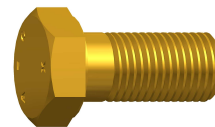
DESIGN NOTES: AN6-6A AIRFRAME BOLT

1. LENGTH 53/64" (.828"), GRIP 3/16" (.187"), THREAD 3/8-24 UNF-3A.
2. PROCUREMENT SPECIFICATION NASM6812.
3. MATERIAL ALLOY STEEL PER PROCUREMENT SPECIFICATION.
 UNS G40370 AMS6300 DFAR EXEMPT
 UNS G87400 AMS6322 DFAR APPLIES
 UNS G41400 AMS6382 DFAR APPLIES
 UNS G41300 AMS-S-6758 DFAR APPLIES
4. HEAT TREAT AMS-2759 HRC 26-32.
5. FINISH CADMIUM PLATED PER AMS-QQ-P-416, TYPE 2 (YELLOW), CLASS 2.
6. THREADS 3/8-24 UNF-3A ROLLED PROCESS PER MIL-S-7742.
7. TENSILE 10,100 LBS. [44,927 N] MIN.
8. YIELD 7,740 LBS. [34,429 N] MIN.
9. SINGLE SHEAR 8,280 LBS. [36,831 N] MIN. SHORT LENGTH N/A.

EXAMPLE PART NUMBER

AFC 6-6 C2 - CADMIUM TYPE 2 YELLOW PLATING
 AFC 6-6 C1 - CADMIUM TYPE 1 PLAIN WHITE PLATING
 AFC 6-6 TDC - THERMAL DIFFUSION COATED ASTM A1059

↑ FINISH
 ↑ LENGTH .828"
 ↑ BODY SIZE & THREAD .375-24 UNF-3A
 ↑ MANUFACTURER AIRFASCO



ACTUAL SIZE

UNCONTROLLED

CONFORMS TO: NASM3 THRU NASM20
 PART NUMBER: AN6-6A

DIMENSIONS ARE IN INCHES AND TOLERANCES ARE AS SHOWN BELOW. DIMENSIONAL TOLERANCES AND SYMBOLS PER ANSI Y14.5M-1982	PROPRIETARY PARTS SHOWN IN THIS DRAWING ARE THE SUBJECT OF ISSUED UNITED STATES AND FOREIGN PATENTS AND PATENTS PENDING. UNAUTHORIZED REPRODUCTION AND/OR DISTRIBUTION OF THIS DRAWING IS STRICTLY PROHIBITED.		AIRFASCO.com 2655 HARRISON AVE SW, CANTON, OHIO 44706 USA	
	APPROVALS DRAWN C.D. CHECKED T.W. ENG APPR B.E. MGR APPR D.D.		DATE 6/10/13 6/10/13 6/10/13 6/10/13	
ANGLES ±5° .XX ±.03" .XXX ±.010" .XXXX ±.001"	PART NUMBER: AN6-6A_AFC6-6C2		REV	
SIZE A		MATERIAL: 4037 / 8740 OR AS NOTED		EST. WEIGHT: .038 / EACH LBS. [17.4 g]
SCALE: 2X		DRAWING NUMBER: AN6-6A_AFC6-6C2		SHEET 1 OF 1