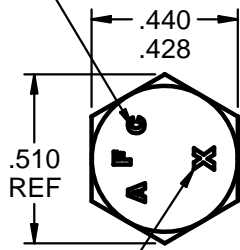
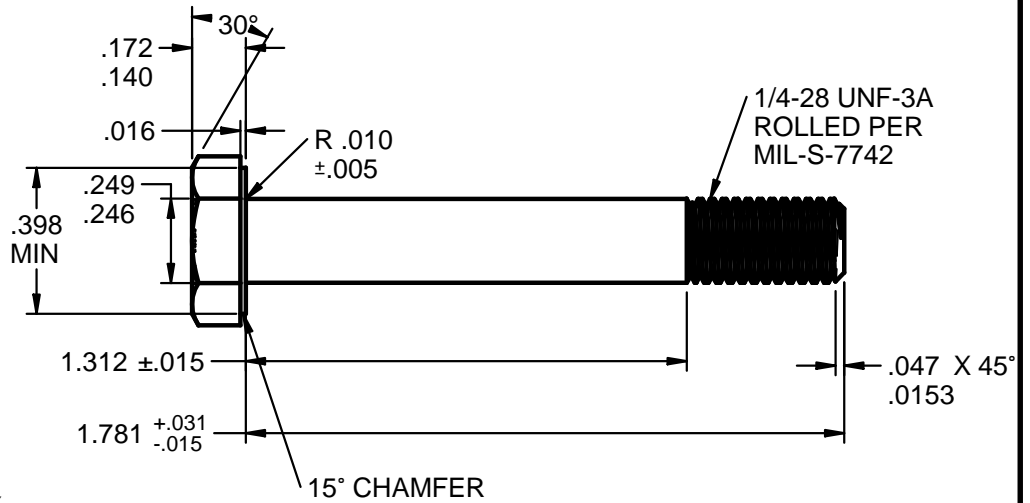


MANUFACTURERS  
"AFC" LOGO  
.025 MAX  
RAISED OR INDENTED



"X" ALLOY STEEL  
GRADE MARK

SCALE: 1.75X



**DESIGN NOTES: AN4-16A AIRFRAME BOLT**

1. LENGTH 1-25/32" (1.781"), GRIP 1-5/16" (1.312"), THREAD 1/4-28 UNF-3A.
2. PROCUREMENT SPECIFICATION NASM6812.
3. PREFERRED MATERIAL ALLOY STEEL PER PROCUREMENT SPECIFICATION.  
UNS G40370 AMS6300 DFAR EXEMPT  
UNS G87400 AMS6322 DFAR APPLIES  
UNS G41400 AMS6382 DFAR APPLIES  
UNS G41300 AMS-S-6758 DFAR APPLIES
4. HEAT TREAT AMS-2759 HRC 26-32.
5. FINISH CADMIUM PLATED PER AMS-QQ-P-416, TYPE 2 (YELLOW), CLASS 2.
6. THREADS 1/4-28 UNF-3A ROLLED PROCESS PER MIL-S-7742.
7. TENSILE 4,080 LBS. [18,148 N] MIN.
8. YIELD 3,130 LBS. [13,922 N] MIN.
9. SINGLE SHEAR 3,680 LBS. [16,369 N] MIN. SHORT LENGTH N/A.

EXAMPLE PART NUMBER

AFC 4-16 C2- CADMIUM TYPE 2 YELLOW PLATING  
AFC 4-16 C1- CADMIUM TYPE 1 PLAIN WHITE PLATING  
AFC 4-16 TDC- THERMAL DIFFUSION COATED ASTM A1059

↑ FINISH  
↑ LENGTH 1.781"  
↑ BODY SIZE & THREAD 0.25-28 UNF-3A  
↑ MANUFACTURER AIRFASCO



ACTUAL SIZE

**UNCONTROLLED**

CONFORMS TO: NASM3 THRU NASM20  
PART NUMBER: AN4-16A

|   |  |                                   |   |                                       |
|---|--|-----------------------------------|---|---------------------------------------|
| DIMENSIONS ARE IN INCHES AND TOLERANCES ARE AS SHOWN BELOW. DIMENSIONAL TOLERANCES AND SYMBOLS PER ANSI Y14.5M-1982 | PROPRIETARY PARTS SHOWN IN THIS DRAWING ARE THE SUBJECT OF ISSUED UNITED STATES AND FOREIGN PATENTS AND PATENTS PENDING. UNAUTHORIZED REPRODUCTION AND/OR DISTRIBUTION OF THIS DRAWING IS STRICTLY PROHIBITED. |                                   | <b>AIRFASCO.com</b><br>2655 HARRISON AVE SW, CANTON, OHIO 44706 USA |                                       |
|   | APPROVALS<br>DRAWN C.D.<br>CHECKED T.W.<br>ENG APPR B.E.<br>MGR APPR D.D.  |                                   | DATE<br>6/10/13<br>6/10/13<br>6/10/13                               |                                       |
| ANGLES ±5°<br>.XX ±.03"<br>.XXX ±.010"<br>.XXXX ±.001"  | PART NUMBER: AN4-16A_AFC4-16C2   |                                   | REV   |                                       |
| SIZE A  |  | MATERIAL: 4037 / 8740 OR AS NOTED |   | EST. WEIGHT: .029/ EACH LBS. [13.6 g] |
| SCALE: 1.75X  |  | DRAWING NUMBER: AN4-16A_AFC4-16C2 |   | SHEET 1 OF 1                          |