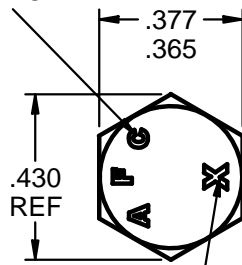


MANUFACTURERS

"AFC" LOGO

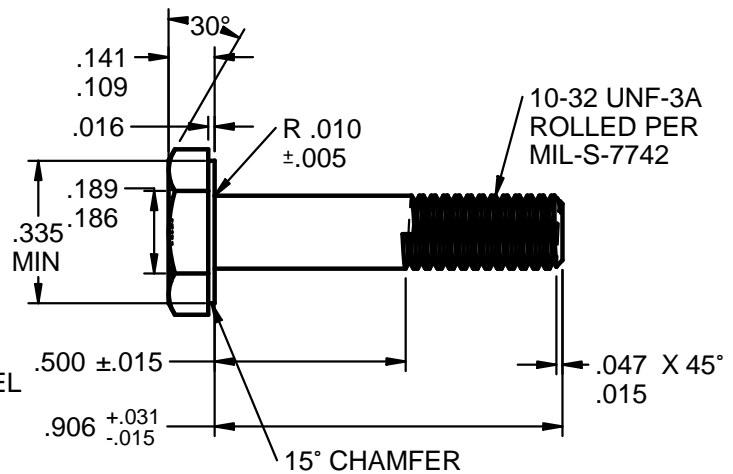
.025 MAX

RAISED OR INDENTED



"X" ALLOY STEEL GRADE MARK

SCALE: 2X

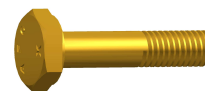


DESIGN NOTES: AN3-7A AIRFRAME BOLT

1. LENGTH 29/32" (.906"), GRIP 1/2" (.500"), THREAD 10-32 UNF-3A.
2. PROCUREMENT SPECIFICATION NASM6812.
3. PREFERRED MATERIAL ALLOY STEEL PER PROCUREMENT SPECIFICATION.  
 UNS G40370 AMS6300 DFAR EXEMPT  
 UNS G87400 AMS6322 DFAR APPLIES  
 UNS G41400 AMS6382 DFAR APPLIES  
 UNS G41300 AMS-S-6758 DFAR APPLIES
4. HEAT TREAT AMS-2759 HRC 26-32.
5. FINISH CADMIUM PLATED PER AMS-QQ-P-416, TYPE 2 (YELLOW), CLASS 2.
6. THREADS 10-32 UNF-3A ROLLED PROCESS PER MIL-S-7742.
7. TENSILE 2,210 LBS. [9,830 N] MIN.
8. YIELD 1,690 LBS. [7,517 N] MIN.
9. SINGLE SHEAR 2,125 LBS. [9,415 N] MIN. SHORT LENGTH N/A.

EXAMPLE PART NUMBER

AFC 3-7 C2 - CADMIUM TYPE 2 YELLOW PLATING  
 AFC 3-7 C1 - CADMIUM TYPE 1 PLAIN WHITE PLATING  
 AFC 3-7 TDC - THERMAL DIFFUSION COATED ASTM A1059



ACTUAL SIZE

**UNCONTROLLED**

CONFORMS TO: NASM3 THRU NASM20  
 PART NUMBER: AN3-7A

DIMENSIONS ARE IN INCHES AND TOLERANCES ARE AS SHOWN BELOW. DIMENSIONAL TOLERANCES AND SYMBOLS PER ANSI Y14.5M-1982	PROPRIETARY PARTS SHOWN IN THIS DRAWING ARE THE SUBJECT OF ISSUED UNITED STATES AND FOREIGN PATENTS AND PATENTS PENDING. UNAUTHORIZED REPRODUCTION AND/OR DISTRIBUTION OF THIS DRAWING IS STRICTLY PROHIBITED.		<b>AIRFASCO.com</b> 2655 HARRISON AVE SW, CANTON, OHIO 44706 USA	
	APPROVALS DRAWN C.D. CHECKED T.W. ENG APPR B.E. MGR APPR D.D.		DATE 6/10/13 6/10/13 6/10/13	
ANGLES ±5° .XX ±.03" .XXX ±.010" .XXXX ±.001"	PART NUMBER: AN3-7A_AFC3-7C2		REV	
SCALE: 2X		MATERIAL: 4037 / 8740 OR AS NOTED		EST. WEIGHT: .010 / EACH LBS. [4.7 g]
DRAWING NUMBER: AN3-7A_AFC3-7C2		SHEET 1 OF 1		